

# Analog Devices Welcomes Hittite Microwave Corporation

NO CONTENT ON THE ATTACHED DOCUMENT HAS CHANGED

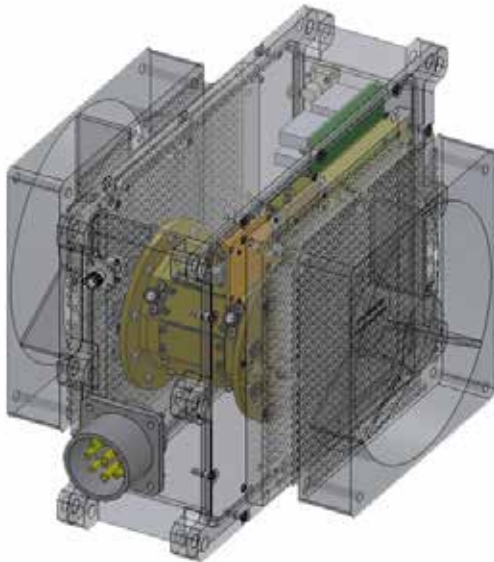


**THIS PAGE INTENTIONALLY LEFT BLANK**

### Typical Applications

- Commercial Radar
- Military Radar
- Electronic Warfare
- Test Equipment

### High Efficiency Solid State Power Amplifier



Shown with optional cooling heatsinks and fans.

The information provided in this document is for a product controlled by the International Traffic in Arms Regulations (ITAR). This product cannot be shipped outside of the United States without a U.S. Department of State export license.

### Features

- Highest Power
- Smallest Footprint
- Lightest Weight

### General Description

The KHPA-0618 30WA is a unique combination of size, power, and value. The KHPA-0618 is a high power solid-state microwave amplifier featuring our dodecahedron in a compact housing. This amplifier will provide a saturated output of 30 watts and can be configured for pulse capability. Power sequencing, remote inhibit, and a TTL level power supply state monitor are also provided. Depending on customer requirements additional options are available.

### Table 1. Specifications

Input Power	
DC Power	48VDC (28V opt)
Efficiency	22.5%
Output Specifications [ @ 25° C ]	
Frequency Range	6.0-18 GHz
Saturated Power Output	5 dBm Typical
Small Signal Gain Flatness	± 3.0
In/Out VSWR	1.5:1
Out of Band Spurious Noise	-70.0 dBc Max
Gain Stability Over Temp	-2.8 dB
	+2.5 dBm Max
Stability	Unconditional (Stable under any load)
Connectors	
RF Input	SMA Female
RF Output	"N" Female
Mechanical	
Compact Copper Chassis	
Chassis Grounded	
Conduction Cooling (heatsinks and fans optional)	
Environmental	
Operating Temperature	-20° to 75° C
Storage Temperature	-40° to 50° C
Relative Humidity	5 to 95% non-condensing
MTBF	
200,000 hours	